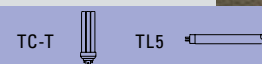




Crawley Library. Design: Penoyre & Prasad. Electrical Design: Gifford & Partners.

### CHUTE



- Contemporary decorative opalised pendant incorporating multiple TL5 fluorescent lampways and an optional compact fluorescent downlight component

#### SPECIFICATION

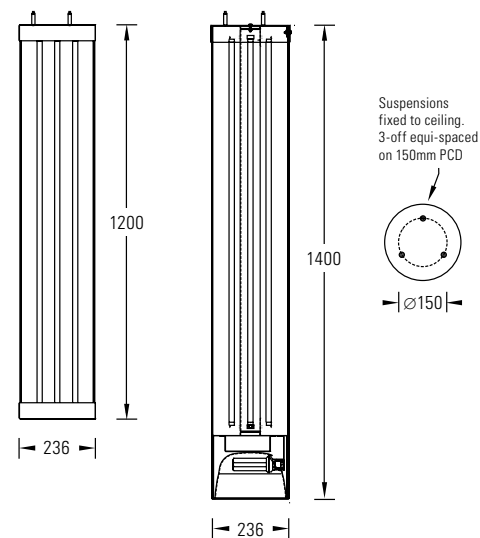
**Construction:** 230mm diameter opalised Satine acrylic tube with 3 adjustable steel wire suspensions, spun aluminium top, and optional compact fluorescent downlight.

The compact downlight comes with 2x32W TC-T lampways with a specular diamond faceted reflector and cross louvre insert as standard. Other options are available on request.

**Suspensions:** Adjustable steel wire, please specify required length to nearest metre.

**Control Gear:**

<b>HF</b>	High Frequency Electronic (standard)
<b>HDP</b>	Philips 1-10V Analogue
<b>HTCS</b>	Tridonic ECO Digital Switchdim
<b>HDPT</b>	Philips Digital Touch and Dim
<b>HTCD</b>	Tridonic ECO Digital DSI
<b>HTXD</b>	Tridonic EXCEL one4all Digital DSI or DALI
<b>HDPD</b>	Philips Digital DALI



TL5 Lampways	Compact Fluorescent Lampways	Catalogue No.	Nom Length (mm)	Weight (kg)
4x28W	2x32W TC-T	CHT/HF428/HF2C32T	1410	7.0
4x28W	None	CHT/HF428	1300	6.0
4x35W	2x32W TC-T	CHT/HF435/HF2C32T	1710	7.0
4x35W	None	CHT/HF435	1600	6.0