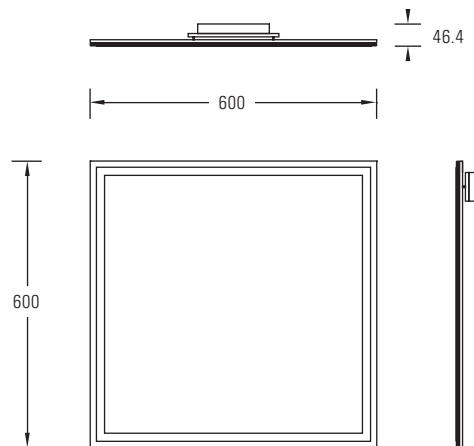




OWL LED PANEL LED

Recessed LED luminaire with opalised optic for general illumination applications. Typically 50,000 hour life.



SPECIFICATION

- Body:** Extruded Silver aluminium construction lay-in panel to suit exposed T ceiling systems.
- Optic:** Polycarbonate TP(a) opal panel which provides an evenly lit surface with a surface uniformity of 70%.
Maximum luminance at 65° = 2500 cd/m²
- Driver:** Total System Power = 50W
Operation Temperature = -40 - 65°C
- Emergency:** Emergency conversion
- LED Output:** 10,000 hours – 90% at 25°C Ambient
50,000 hours – 70% at 25°C Ambient

Catalogue No.	Total Flux	Colour Temperature	Weight (kg)	CRI	Lumens / W
OWL/3000	2,500 Lumens	3000K	5.50	85	54
OWL/5700	2,950 Lumens	5700K	5.50	85	59
OWL/6500	2,950 Lumens	6500K	5.50	85	59

Please note: Product can be subject to extended delivery lead times.