

Specular



Semi-specular



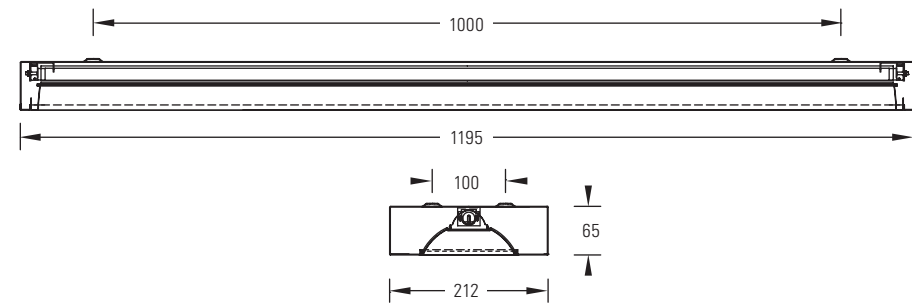
White

SOLE TL5

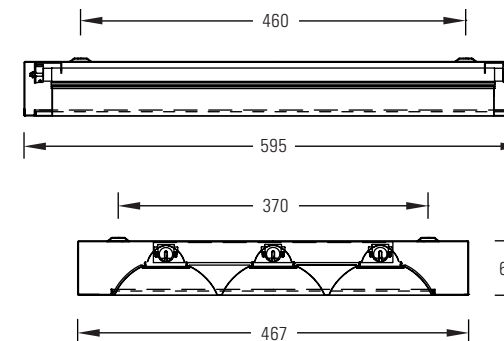
- A unique surface, high efficiency TL5 luminaire.
- An excellent alternative to the Pro-LIP range on pages 164-165.
- The rear parabolic reflector optic and reeded polycarbonate TP(a) diffuser combine to give high Light Output Ratios. The front reflector optics are available in Specular, Semi-specular or White aluminium.
- Ideal for healthcare and education environments where an enclosed high efficient luminaire is a distinct advantage.
- Available in 1, 2, 3 and 4 lamp 1200 or 600mm versions.

Optic	Lampway	Nom Dims (mm)	Catalogue No.	Weight (kg)	Emergency Catalogue No.	Weight (kg)
Specular	1x28W TL5	1200x200	SOLS/HF/128/M	5.2	SOLS/HF/128E1/M	6.0
Specular	2x28W TL5	1200x300	SOLS/HF/228/M	5.5	SOLS/HF/228E1/M	6.3
Specular	3x14W TL5	600x600	SOLS/HF/314/M	5.0	SOLS/HF/314E1/M	5.8
Specular	4x14W TL5	600x600	SOLS/HF/414/M	5.5	SOLS/HF/414E1/M	6.3
Semi-specular	1x28W TL5	1200x200	SOLS/HF/128/L	5.2	SOLS/HF/128E1/L	6.0
Semi-specular	2x28W TL5	1200x300	SOLS/HF/228/L	5.5	SOLS/HF/228E1/L	6.3
Semi-specular	3x14W TL5	600x600	SOLS/HF/314/L	5.0	SOLS/HF/314E1/L	5.8
Semi-specular	4x14W TL5	600x600	SOLS/HF/414/L	5.5	SOLS/HF/414E1/L	6.3
White	1x28W TL5	1200x200	SOLS/HF/128/W	5.2	SOLS/HF/128E1/W	6.0
White	2x28W TL5	1200x300	SOLS/HF/228/W	5.5	SOLS/HF/228E1/W	6.3
White	3x14W TL5	600x600	SOLS/HF/314/W	5.0	SOLS/HF/314E1/W	5.8
White	4x14W TL5	600x600	SOLS/HF/414/W	5.5	SOLS/HF/414E1/W	6.3

1 Lamp

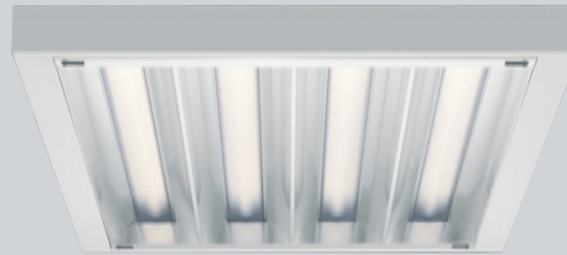


3 Lamp





Specular

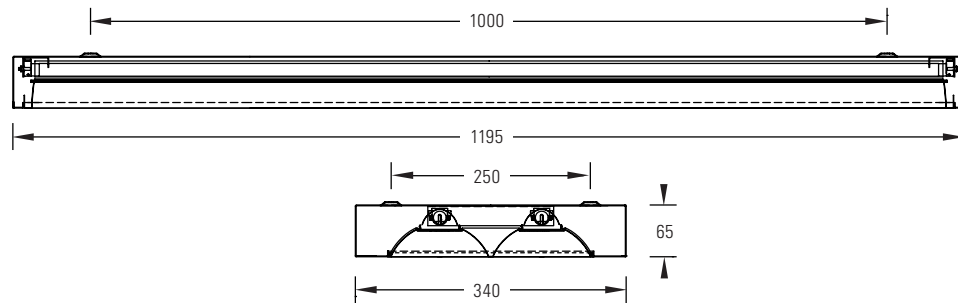


Semi-specular

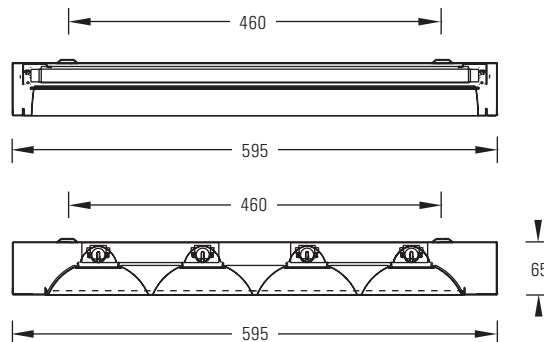


White

2 Lamp



4 Lamp



SPECIFICATION

Body: Sturdy welded White polyester powder coated steel.
Shoot bolt retained reflector optic.

Diffusers: Extruded reeded TP(a) polycarbonate.

Optics: **Rear:** Parabolic Miro 815 aluminium
Front: Specular Miro 4 aluminium
Semi-specular Miro 5 aluminium
White aluminium.

Control Gear: **HF** High Frequency Electronic (standard)
HDP Philips 1-10V Analogue
HTCS Tridonic ECO Digital Switchdim
HDPT Philips Digital Touch and Dim
HTCD Tridonic ECO Digital DSI
HTXD Tridonic EXCEL one4all Digital DSI or DALI
HDPD Philips Digital DALI

To specify required option substitute relevant code into catalogue number:
e.g. SOLS/**HTCS**/414/M

Emergency: **E1** Integral, maintained, 3 hour duration emergency lighting conversion packs are available for all options.

ES Self Test Emergency.

To specify required option substitute relevant code into catalogue number:
e.g. SOLS/HF/414**ES**/M